

The chute LUXUS - the high-quality version from the ELCO chutes range. With the large number of possible variations of a sophisticated modular system in a contemporary design. Ideal use in 300 mm wide wall units with 16 mm thick sides. Further accessories: ELCO KITCHEN CONTAINER - ideal storage and work container.

They are preferably used in shelf pull-outs and are used to store fruit, vegetables and other foods. A practical addition to the kitchen interior. All 3 sizes can be combined with each other. Same sizes are stackable. This results in more sorting options. Can be used in all corpuse widths and shelves.

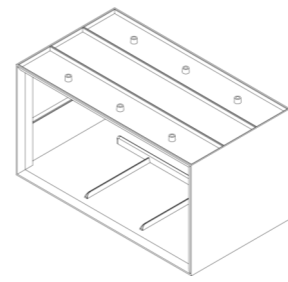


- High-quality raw materials make the chute top-quality products
- Since all parts can be easily connected to each other, every cabinet height can be optimally used
- Other variants on request
- Accessories: Welded cover plate on the chute housing for a clean finish and additional storage space
- Spreader panels, each 25 mm wide, are available for use in 350 mm wide wall units

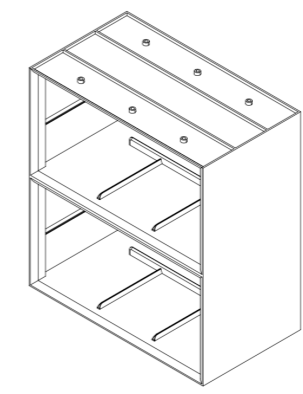
## CHUTES

Article no.	H Case		Chutes
	C013503	C013504	
C013010	146	1	3
C013020	292	1	6
C013030	438	1	9

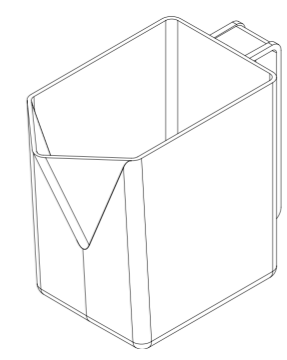
Article no.	Description	W	D	H
C013503	Case for 3 chutes	267	150	146
C013504	Case for 6 chutes	267	150	292



Case for 3 chutes



Case for 6 chutes



Narrow chute with grip

## Colors

Case	Chutes
Pure White (F174)	Crystal Clear (F102)
Cream White (F176)	Pure White (F174)
	Green-transparent (F103)
Other colors on request	Other colors on request