



FLEXLINE is haptically appealing and visually eye-catching due to its selected materiality and slightly structured surface. It appears very filigree due to its low racks. Its clear lines integrate it into a high-quality, yet rather restrained look in the interior design. The MAGIC PEARL anti-slip mat forms the basis of a visually uniform drawer fitting with its elegant matt effect. At the same time, it gives the elements a necessary grip to prevent them from slipping.

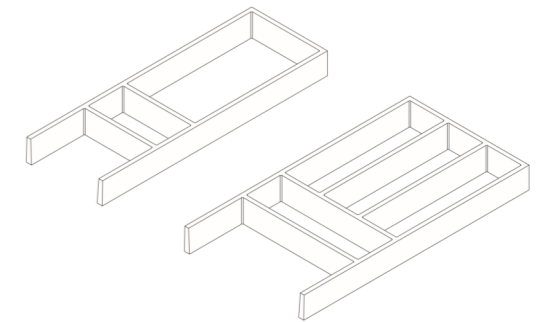
The elements are refined by a light, all-round eroded structure and have a satin finish. The logical arrangement of the compartments allows for sensible storage of cutlery and other accessories. A multifunctional compartment can optionally accommodate spice inserts. The laterally closed design of the inserts allows free horizontal positioning and thus creates additional storage space for larger utensils or also the available accessories such as knife block, foil holder and spice inserts.

- Maximum design scope with only two elements
- Optimum use of the drawer in the kitchen cupboard
- Combination with an anti-slip mat makes additional storage space usable
- Frame insert small with 176 mm width, frame insert large with 276 mm width
- Use in standard up to 550 NT
- Single, double, triple drawer assignment possible
- Ergonomic basic divisions
- Flexible use in all standard drawer and cupboard types
- Made of resistant plastic
- Optional wooden accessories



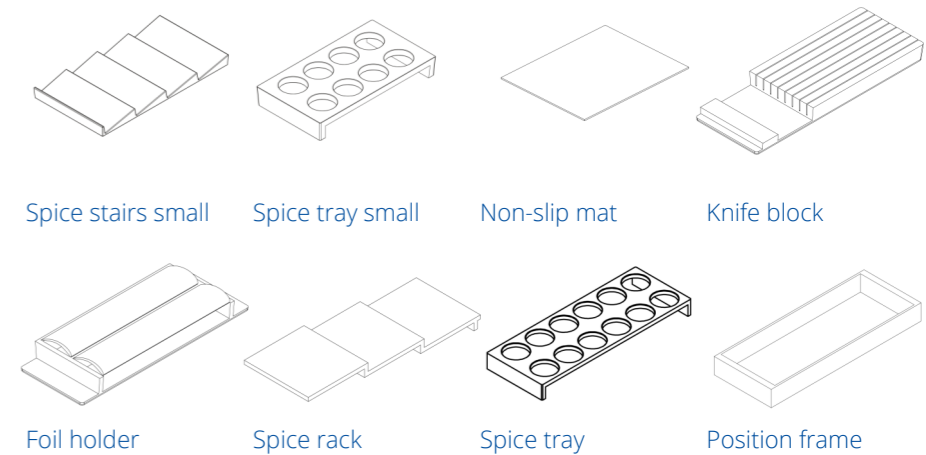
SKT 450 - 550

SKT 450 - 550	H	W min.	W max.	D min.	D max.
K0 300	50	176	176	363	523
K0 400	50	176	176	363	523
K0 450	50	176	276	363	523
K0 500	50	176	276	363	523
K0 550	50	176	276	363	523
K0 600	50	176	276	363	523
K0 700	50	176	276	363	523
K0 800	50	176	276	363	523
K0 900	50	176	276	363	523
K0 1000	50	2 x 176	1 x 276	363	523
K0 1200	50	1 x 176	2 x 276	363	523



Accessoires

Accessories	H	W min.	D min.
Spice stairs small	40	157	283
Spice tray small	40	157	283
Anti-slip mat	300	1200	363
Knife block	37/40	150/161	437/472
Foil holder	40/60	150/161	437/472
Spice rack	32/40	150/161	437/472
Spice tray	32	166	441
Position frame	54	180	473



Examples

